

# HDMI Fiber Optic Extender

## User Manual



## 1. PRODUCT DESCRIPTION

This product transmits HDMI audio and video signal to 20KM by single mode fiber, supports TCP/IP network protocol, can transmit from one transmitter to multiple receivers through optical switch, and supports local HDMI output. Support infrared pass-back remote control , while reducing costs for users to ensure the stability of the signal. The device has long transmission distance, low cost, convenient installation and good compatibility. It is a stable and efficient transmission mode. It is widely used in high-definition conference system, high-definition video shooting, high-definition teaching system, high-definition digital advertising and so on. Audio and video transmission.

## 2. ADVANTAGE

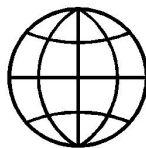
Aluminum shell, small volume, lightweight design, more beautiful, strong anti-interference ability; wall-mounted type more convenient

- Using single Mode Fiber to transmit 20KM
- Video resolution up to 1920\*1080@60Hz
- The sender supports HDMI local loop output
- Support for one sender to multi-receiver transmission via an optical switch
- Support infrared (38 KHz) signal return control
- HDMI 1.3 and HDCP 1.2 standards
- High compatibility, automatic matching of signal sources and display devices
- Built-in automatic adjustment system for smooth, clear and stable image
- Built-in ESD electrostatic protection circuit, easy to install, plug and play
- Real-time Video / Audio Transmission from HDMI to Fiber based on IP

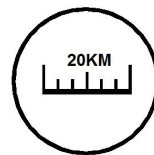
## 3. FEATURES



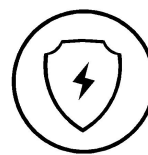
Uncompressed 1080P@60Hz



Support TCP/IP



Max 20KM Distance



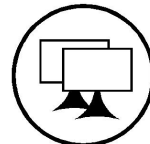
ESD Protection System



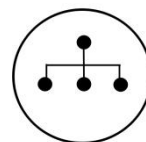
Plug & Play



IR Pass-back



Local Loop-out



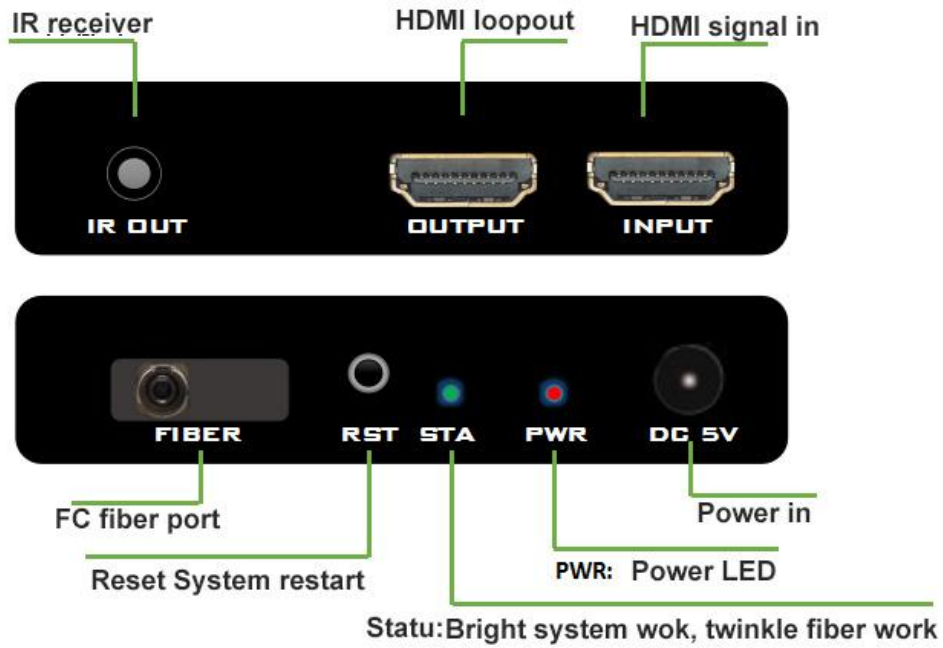
Point to Multi-point

## 4. SPECIFICATION

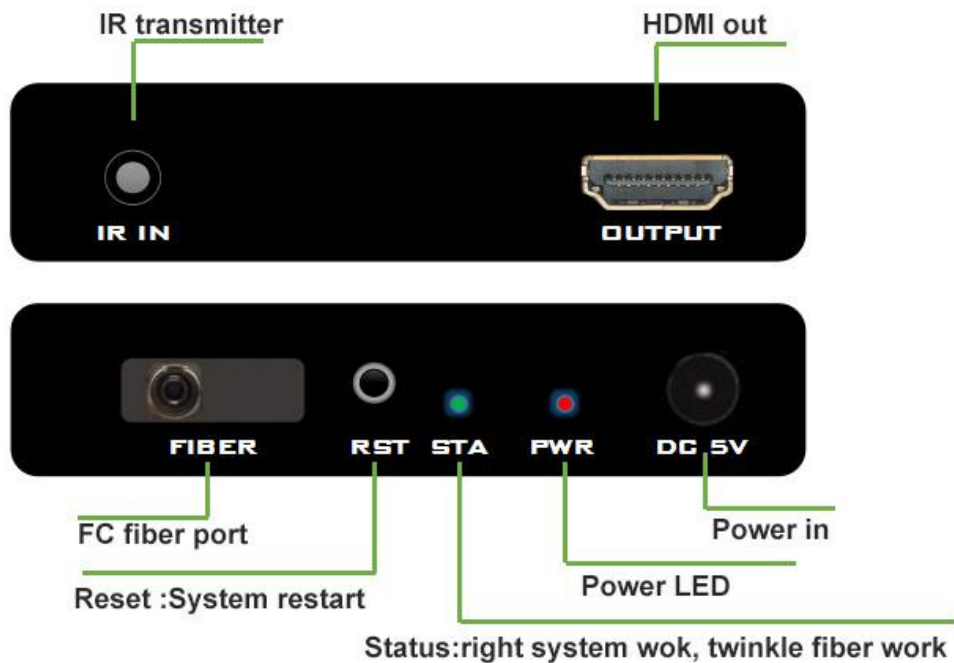
	Parameter	Description
Video	Standards	HDMI 1.3, HDCP 1.2
	Maximum Pixel Clock	165MHz
	Maximum Data Rate	6.75Gbps
	Resolution Range	Max: 1920X1080@60Hz
	Connector	Female HDMI Type A
	Impedance	100Ω
Infrared	Interface	3.5mm Earphone Seat
	Signal Type	Digital
	Transmission Direction	Unidirectional
	Carrier Frequency	38kHz
Optical Fiber	Interface	FC connector
	Fiber Type	Single Mode
	Wavelength	TX 1310nm; RX 1550nm
	Interface Bandwidth	155Mbps
	Transmission Distance	Standard: 20km
Other	Power Supply	The Power Adapter: DC 5V/2A
	Power Dissipation	Max: 5W
	Temperature	Operating: -5℃ ~ +70℃
	Humidity	Operating: 5% ~ 90%
	Dimension	100*97.5*18.6mm

## 5. INTERFACE

Sender:



Receiver:



## 6. INSTALLATION

1. The HDMI signal source is connected to the INPUT interface of the sender.
2. Connect the HDMI extender receiver OUTPUT to the display device,
3. Using a single mode single fiber to connect the optical fiber interface between the transmitter and the receiver,
4. Power the transmitter and receiver. When the indicator lights up and starts flashing, the system works.

## 7. PACKING LIST

- HDMI optical fiber transmitter ..... 1 pc
- HDMI optical fiber receiver ..... 1 pc
- IR transmit/receive terminal .....1 set
- 5V2A Power adapter .....2 pcs
- User manual ..... 1 pc

## 8. CONNECT DIAGRAM

